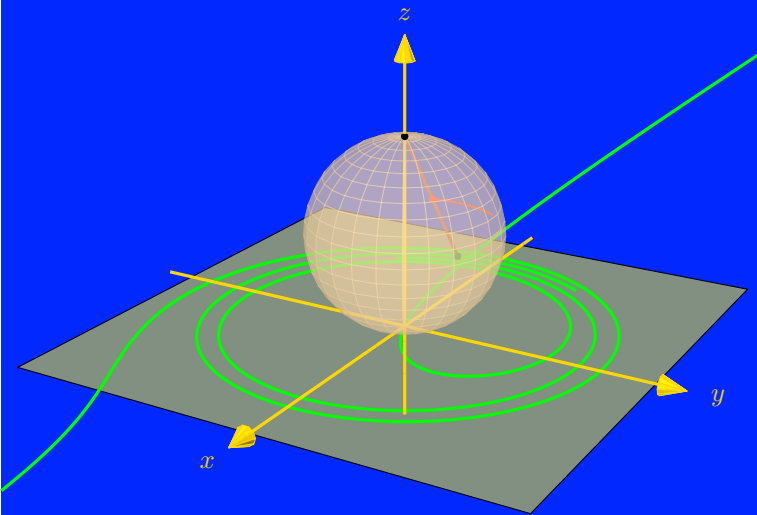
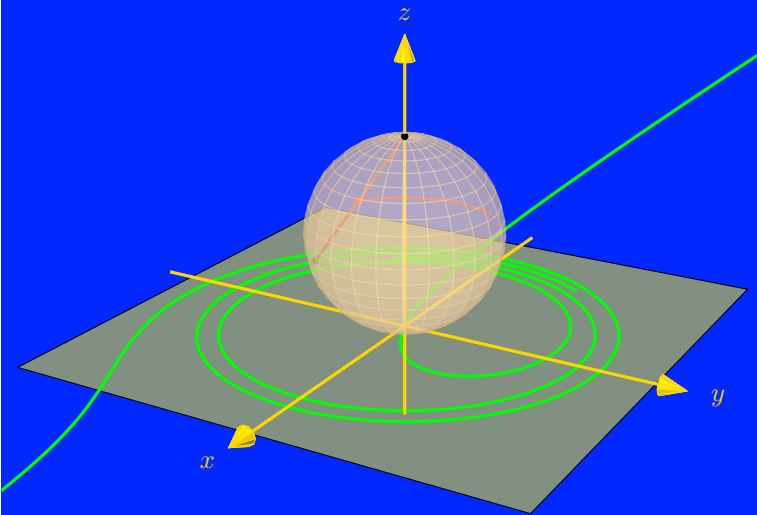


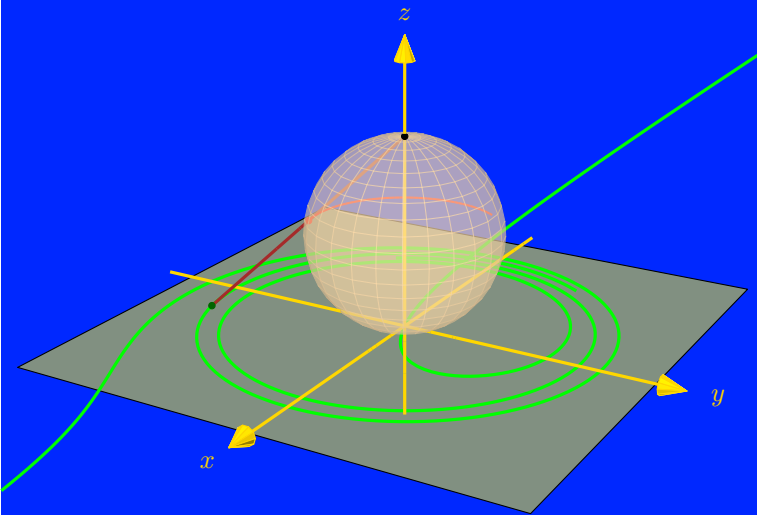
—  $\rho(t) = 2 - \frac{1}{t}$



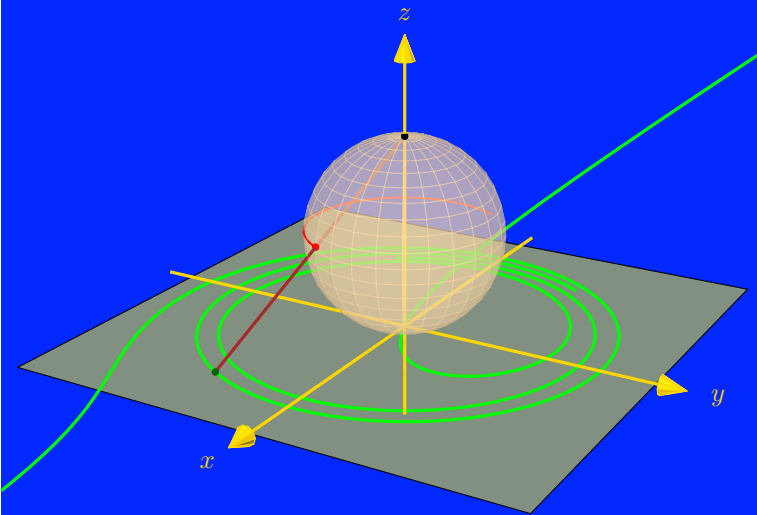
—  $\rho(t) = 2 - \frac{1}{t}$



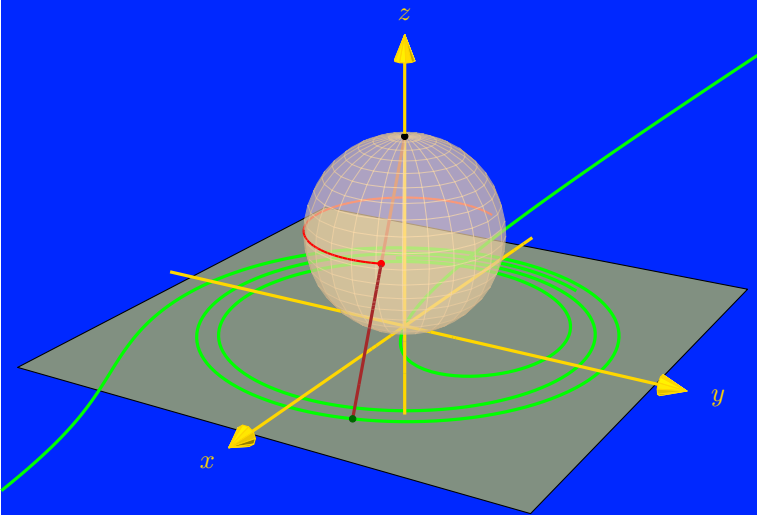
—  $\rho(t) = 2 - \frac{1}{t}$



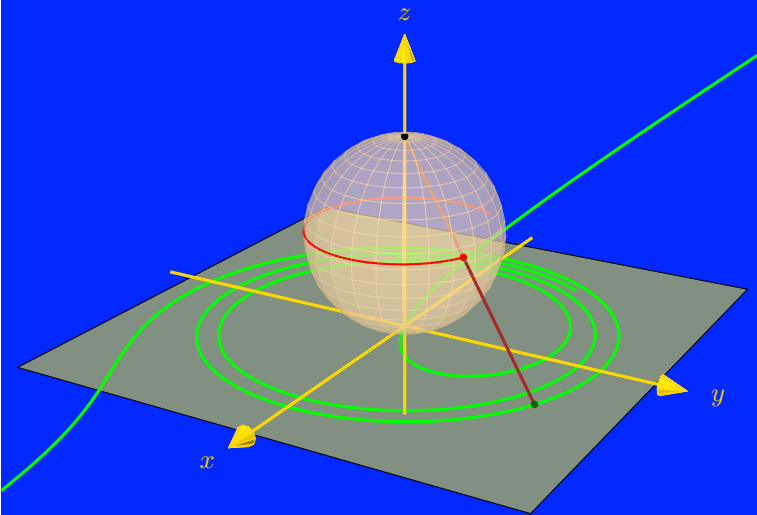
—  $\rho(t) = 2 - \frac{1}{t}$



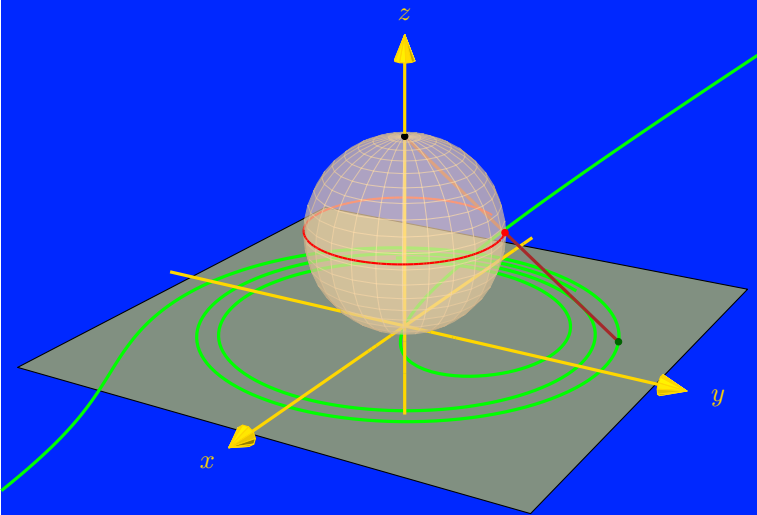
—  $\rho(t) = 2 - \frac{1}{t}$



—  $\rho(t) = 2 - \frac{1}{t}$

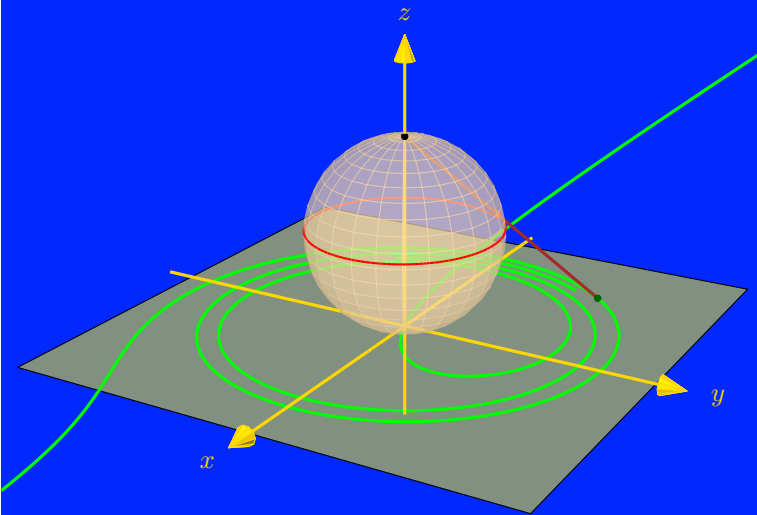


—  $\rho(t) = 2 - \frac{1}{t}$

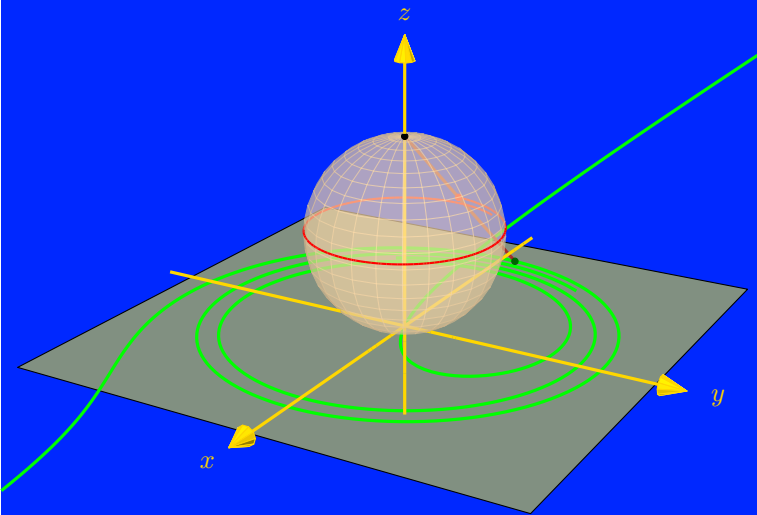


—  $\rho(t) = 2 - \frac{1}{t}$

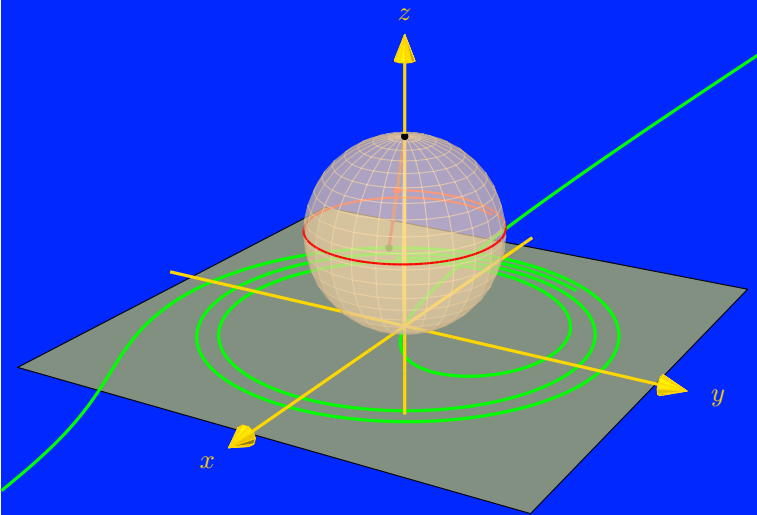




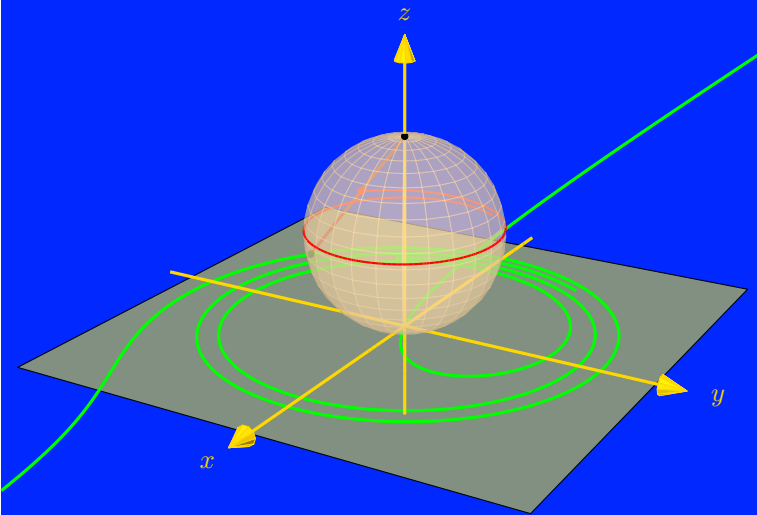
—  $\rho(t) = 2 - \frac{1}{t}$



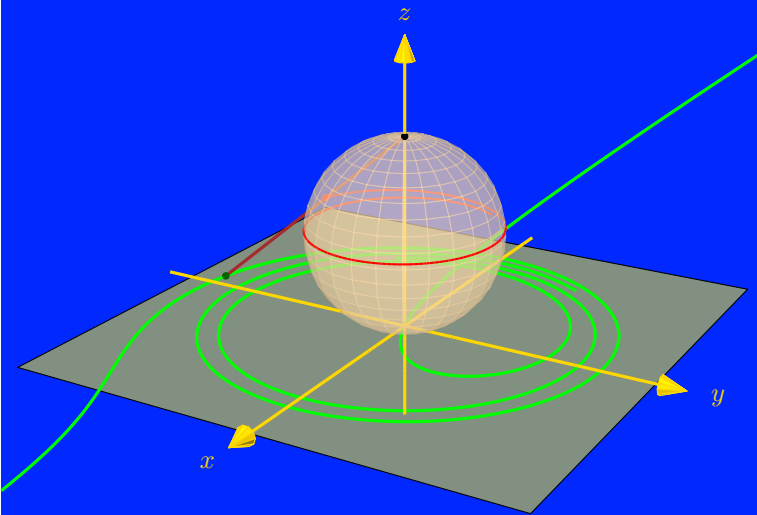
—  $\rho(t) = 2 - \frac{1}{t}$



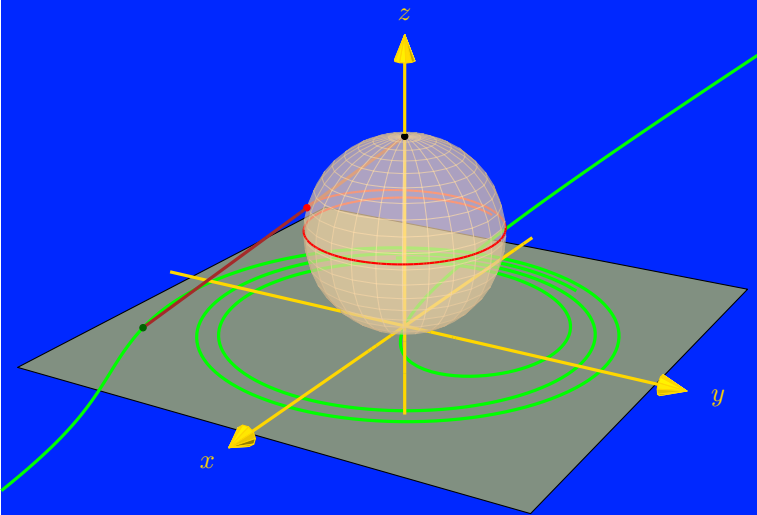
—  $\rho(t) = 2 - \frac{1}{t}$



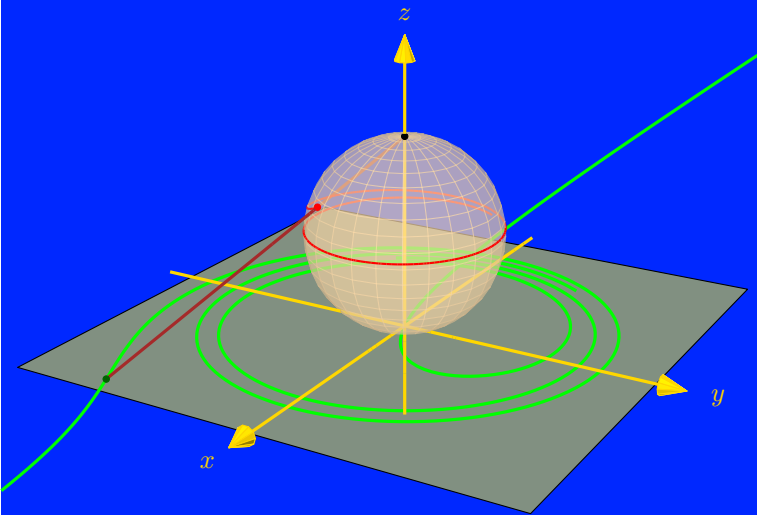
—  $\rho(t) = 2 - \frac{1}{t}$



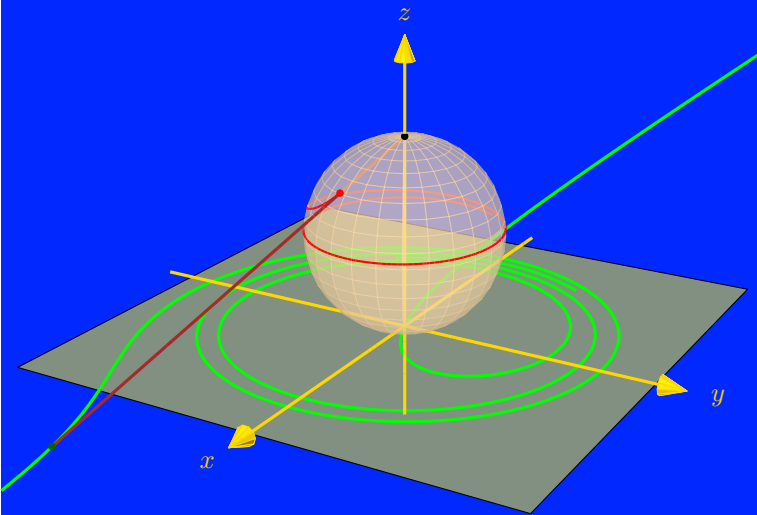
—  $\rho(t) = 2 - \frac{1}{t}$



—  $\rho(t) = 2 - \frac{1}{t}$

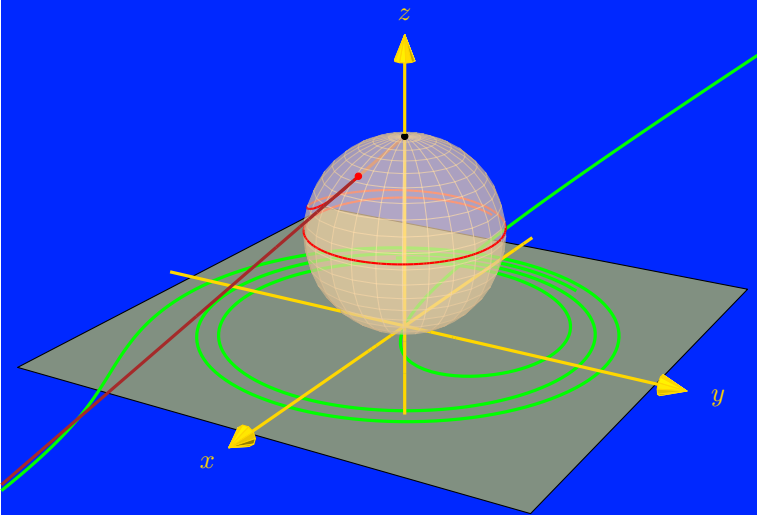


—  $\rho(t) = 2 - \frac{1}{t}$

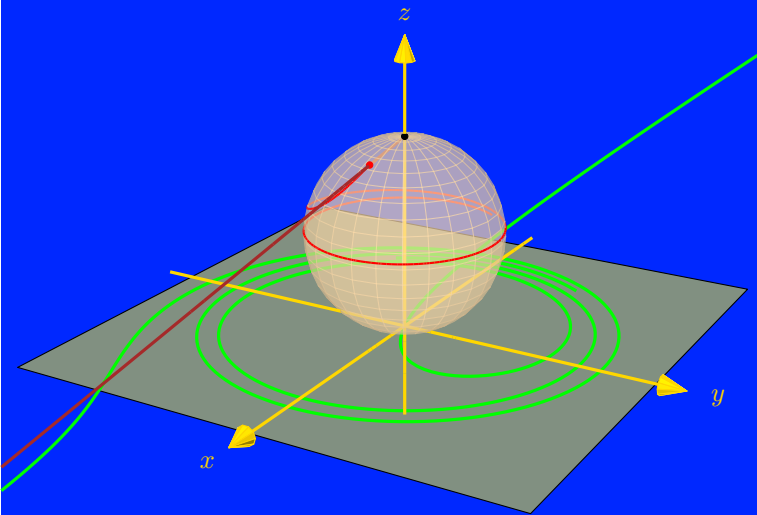


—  $\rho(t) = 2 - \frac{1}{t}$

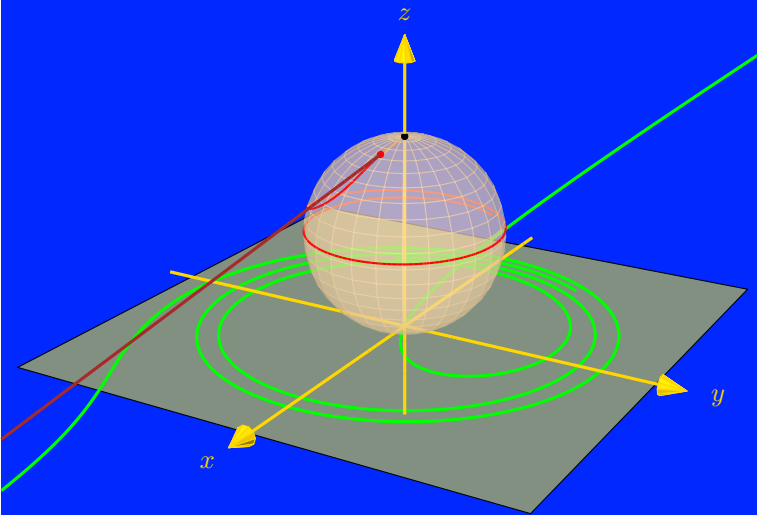




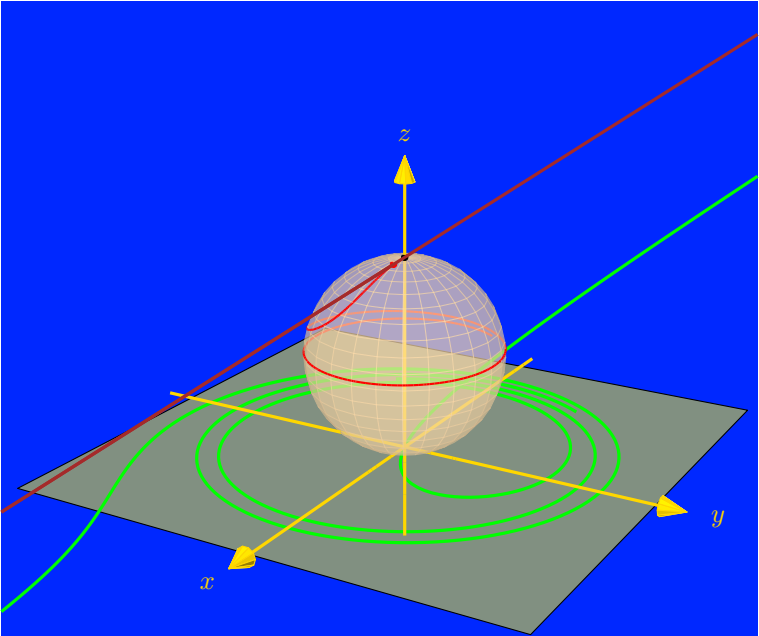
—  $\rho(t) = 2 - \frac{1}{t}$



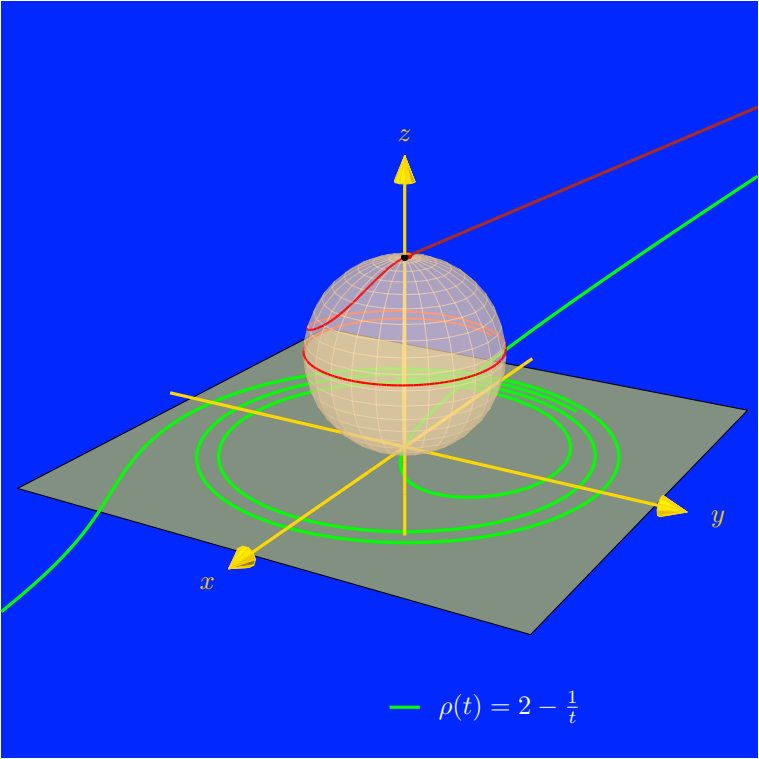
—  $\rho(t) = 2 - \frac{1}{t}$



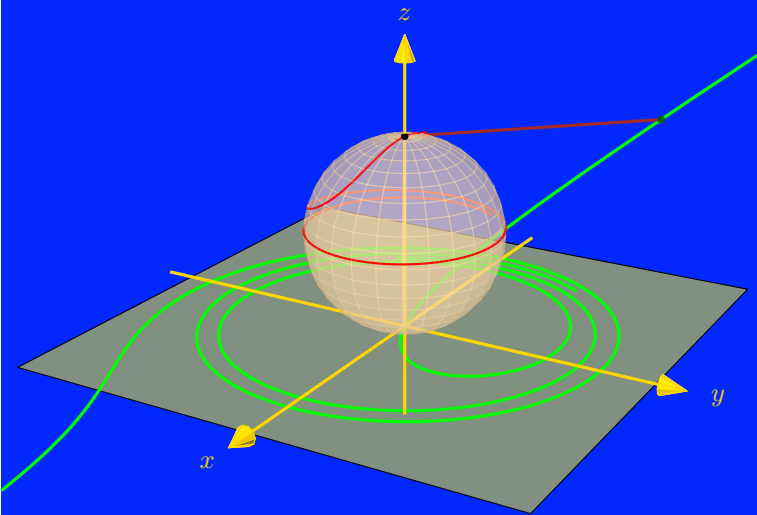
—  $\rho(t) = 2 - \frac{1}{t}$



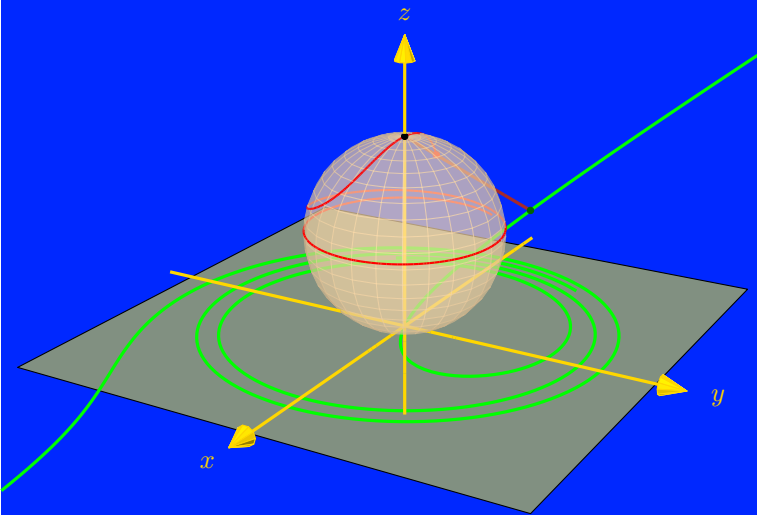
—  $\rho(t) = 2 - \frac{1}{t}$



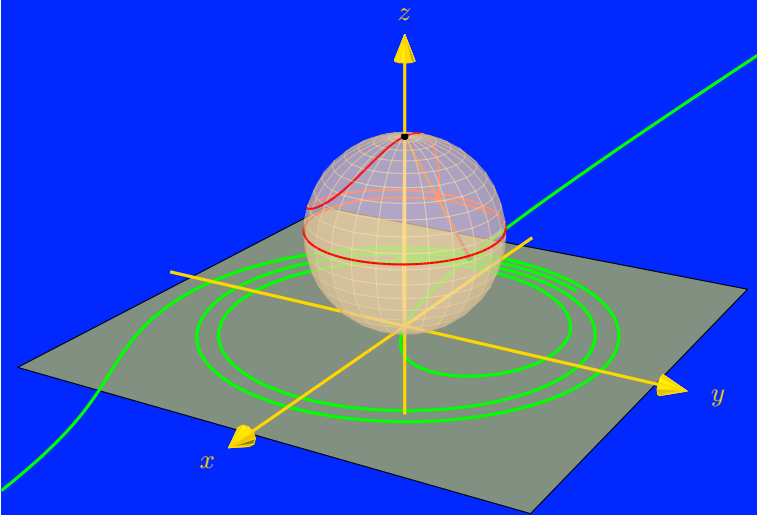
—  $\rho(t) = 2 - \frac{1}{t}$



—  $\rho(t) = 2 - \frac{1}{t}$

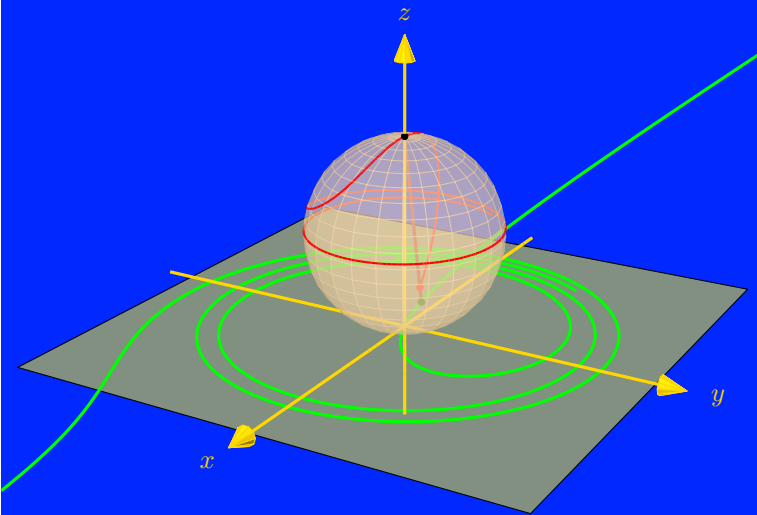


—  $\rho(t) = 2 - \frac{1}{t}$

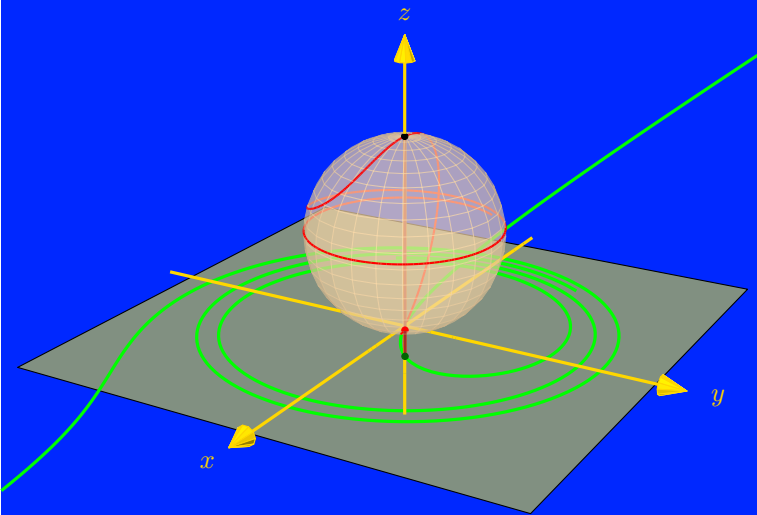


—  $\rho(t) = 2 - \frac{1}{t}$

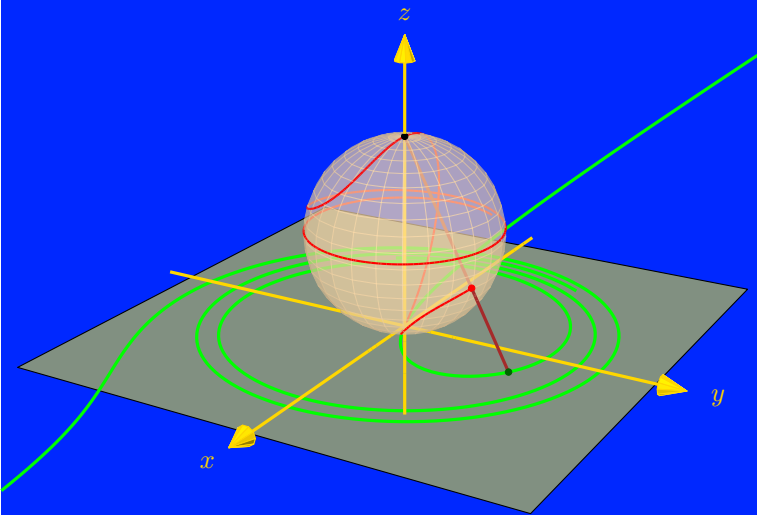




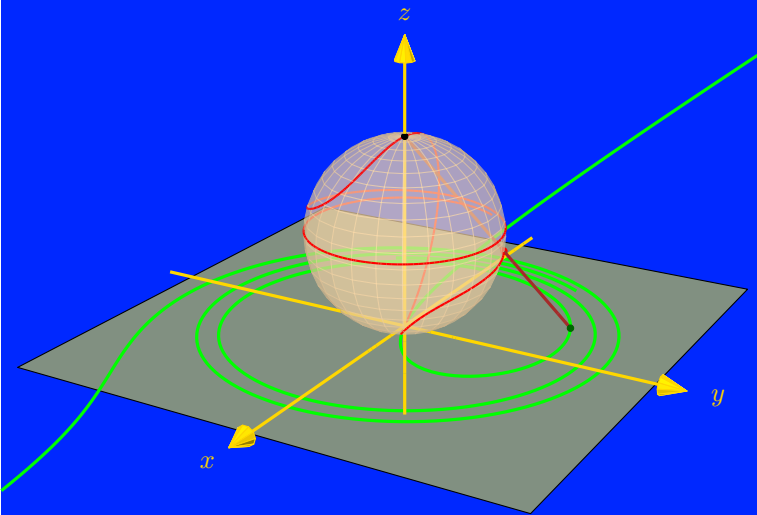
—  $\rho(t) = 2 - \frac{1}{t}$



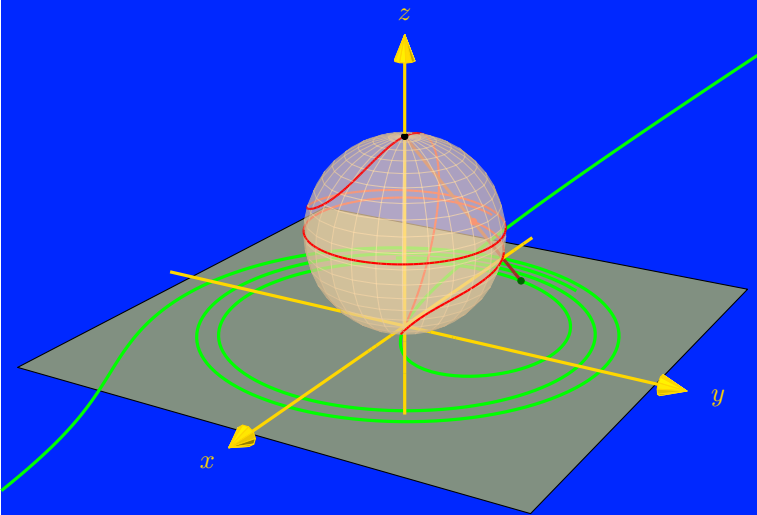
—  $\rho(t) = 2 - \frac{1}{t}$



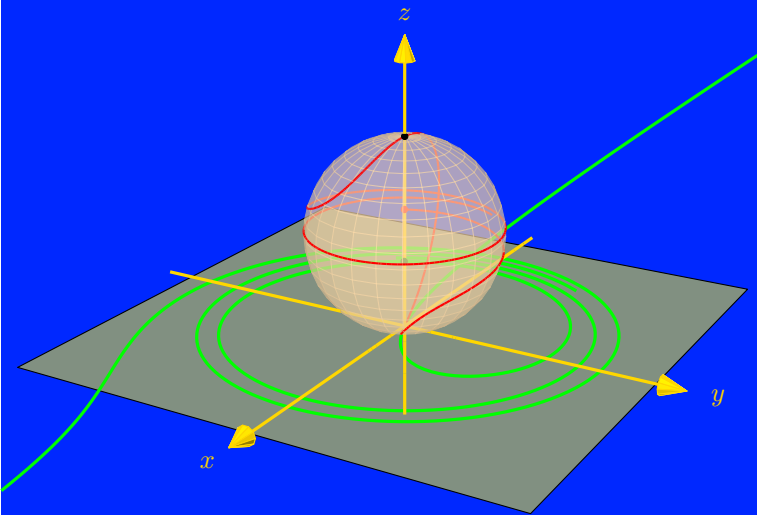
—  $\rho(t) = 2 - \frac{1}{t}$



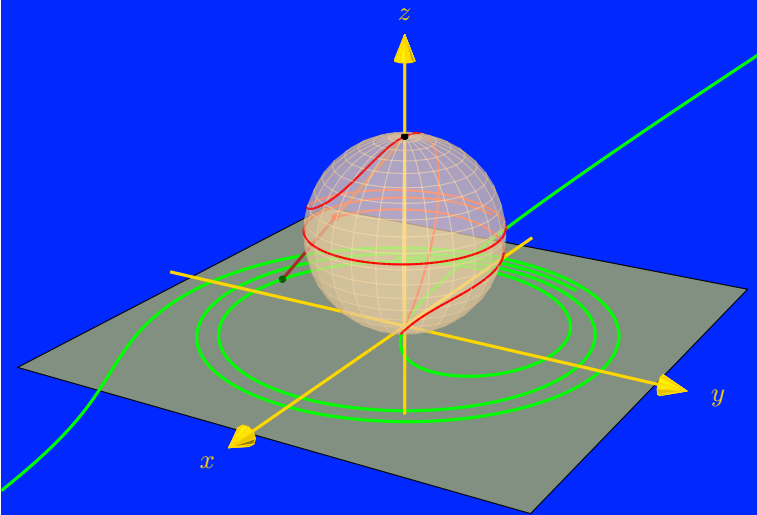
—  $\rho(t) = 2 - \frac{1}{t}$



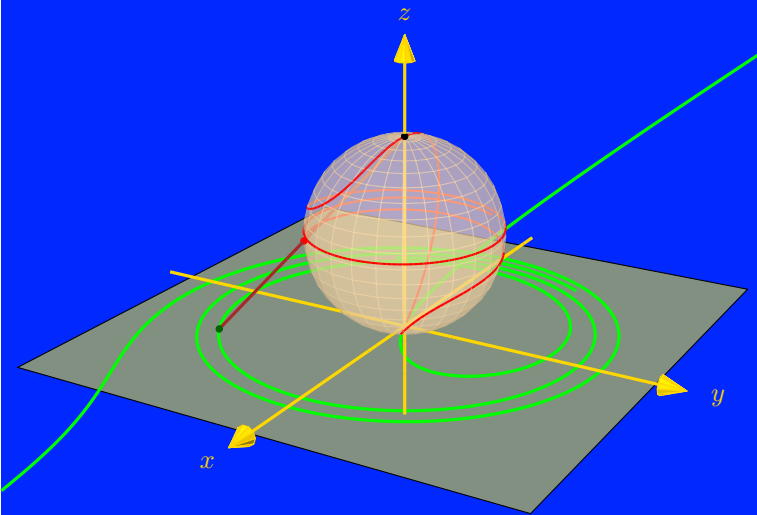
—  $\rho(t) = 2 - \frac{1}{t}$



—  $\rho(t) = 2 - \frac{1}{t}$

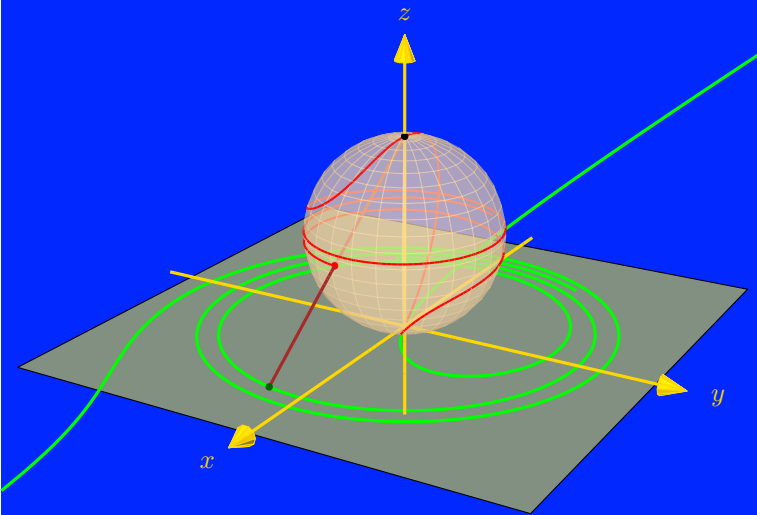


—  $\rho(t) = 2 - \frac{1}{t}$

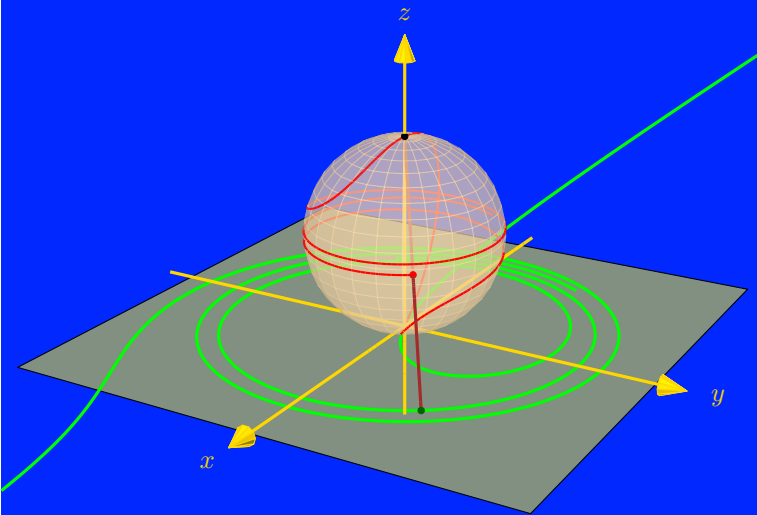


—  $\rho(t) = 2 - \frac{1}{t}$

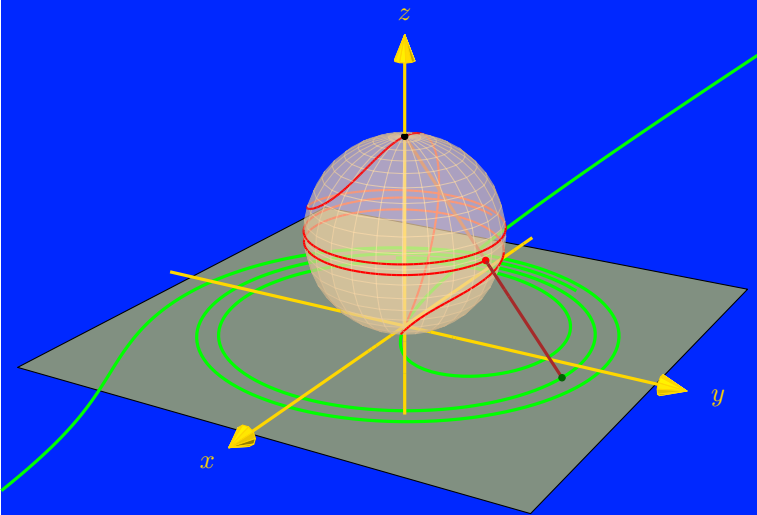




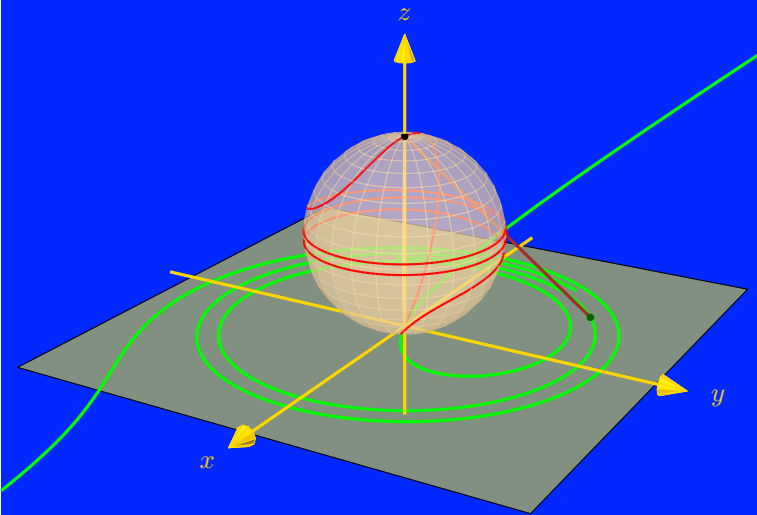
—  $\rho(t) = 2 - \frac{1}{t}$



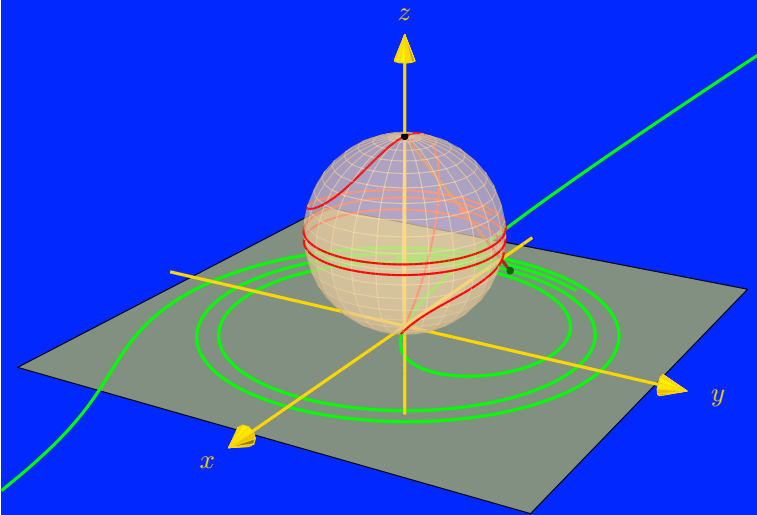
—  $\rho(t) = 2 - \frac{1}{t}$



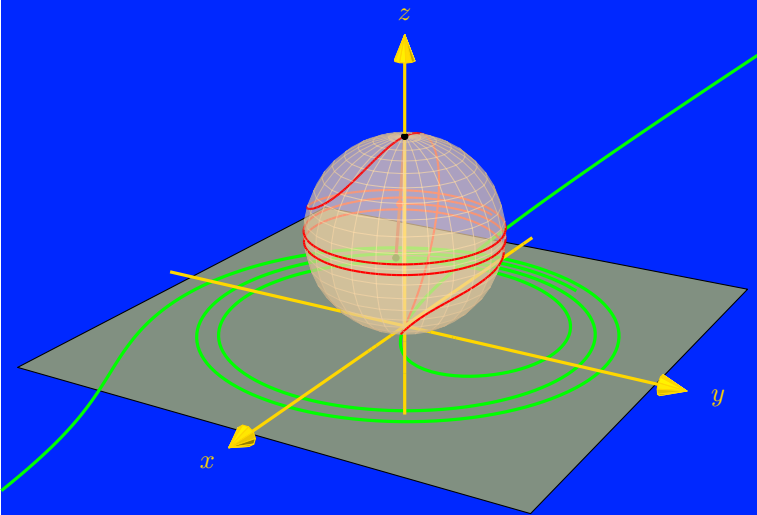
—  $\rho(t) = 2 - \frac{1}{t}$



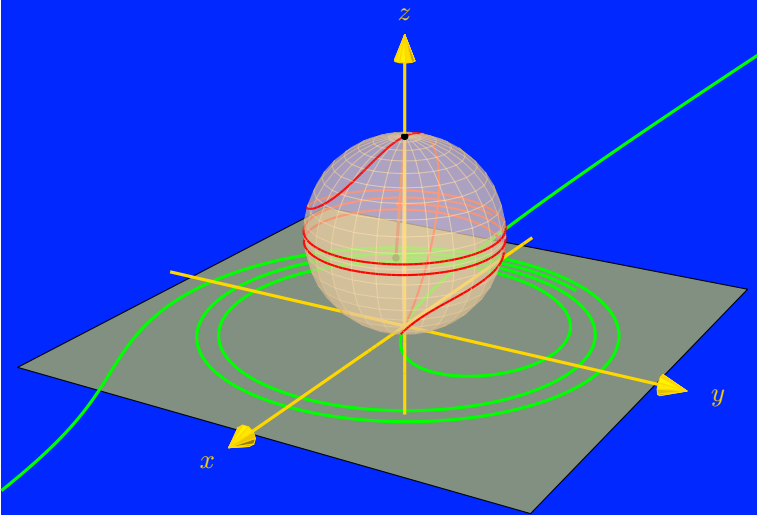
—  $\rho(t) = 2 - \frac{1}{t}$



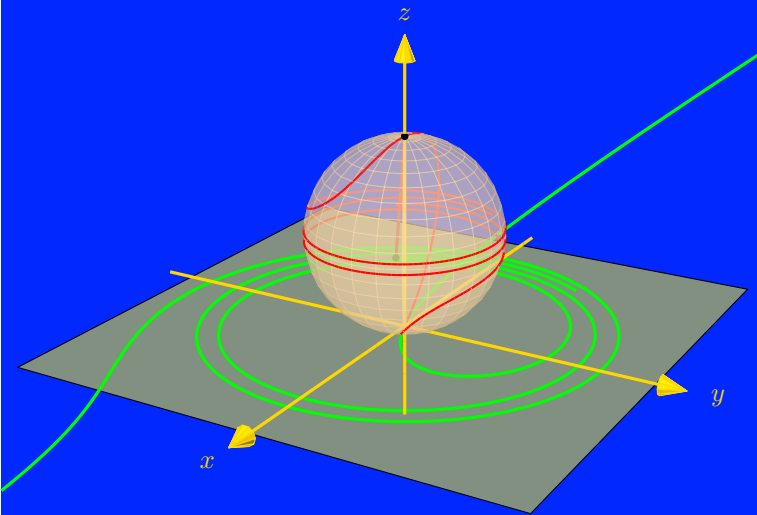
—  $\rho(t) = 2 - \frac{1}{t}$



—  $\rho(t) = 2 - \frac{1}{t}$

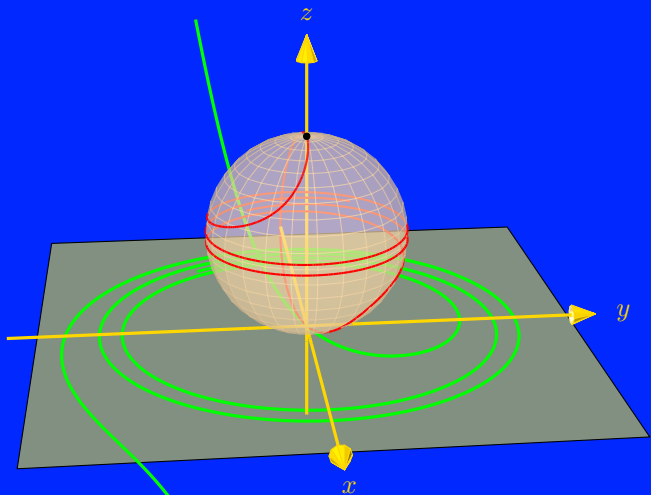


—  $\rho(t) = 2 - \frac{1}{t}$

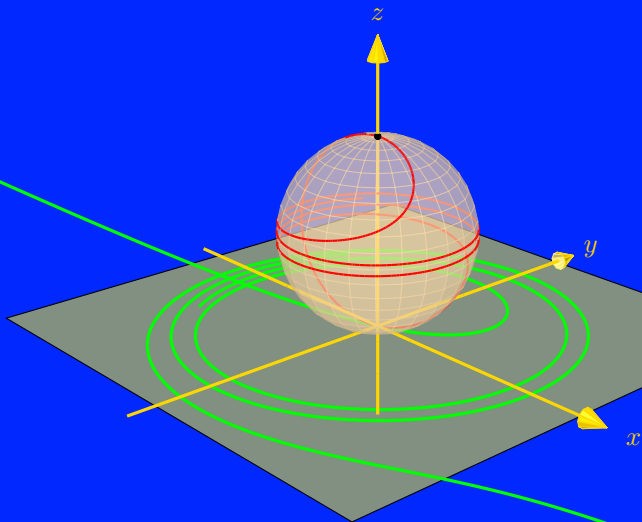


—  $\rho(t) = 2 - \frac{1}{t}$

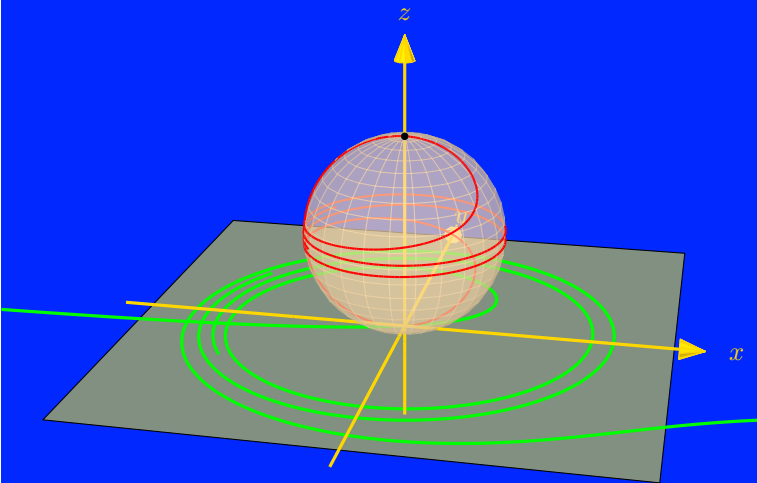




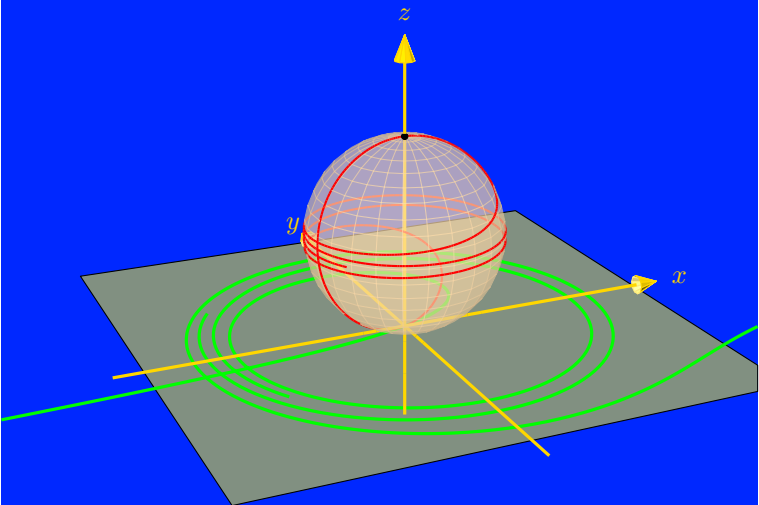
—  $\rho(t) = 2 - \frac{1}{t}$



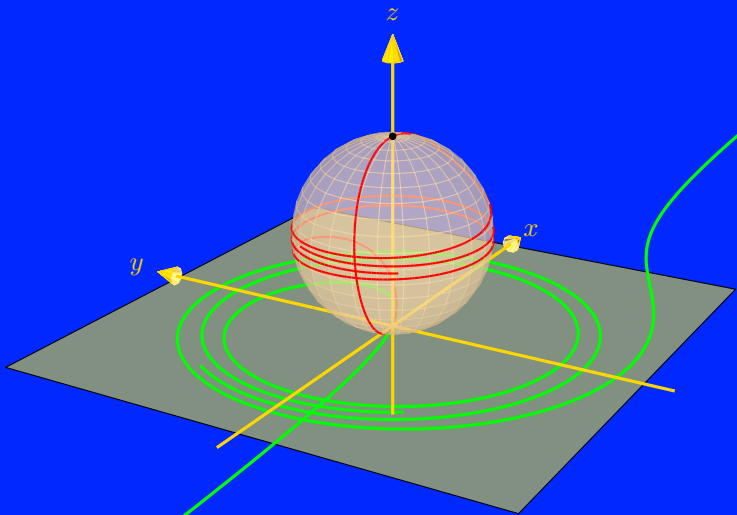
—  $\rho(t) = 2 - \frac{1}{t}$



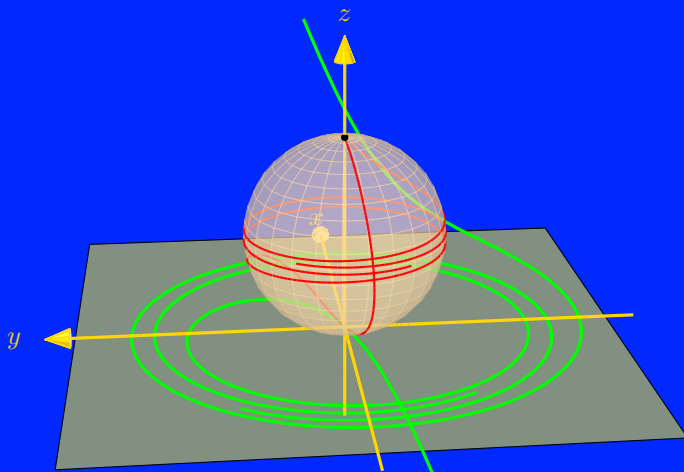
—  $\rho(t) = 2 - \frac{1}{t}$



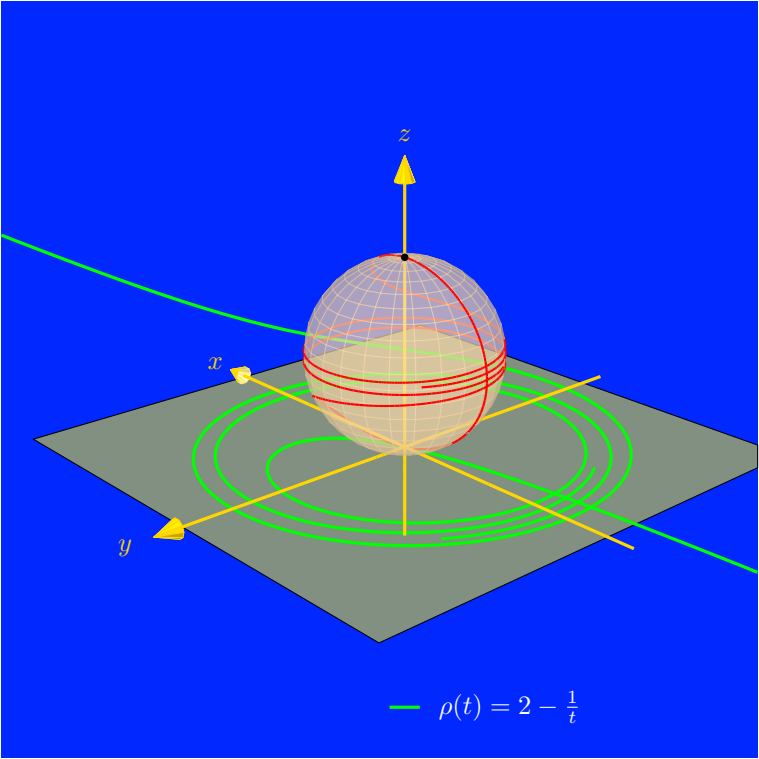
—  $\rho(t) = 2 - \frac{1}{t}$



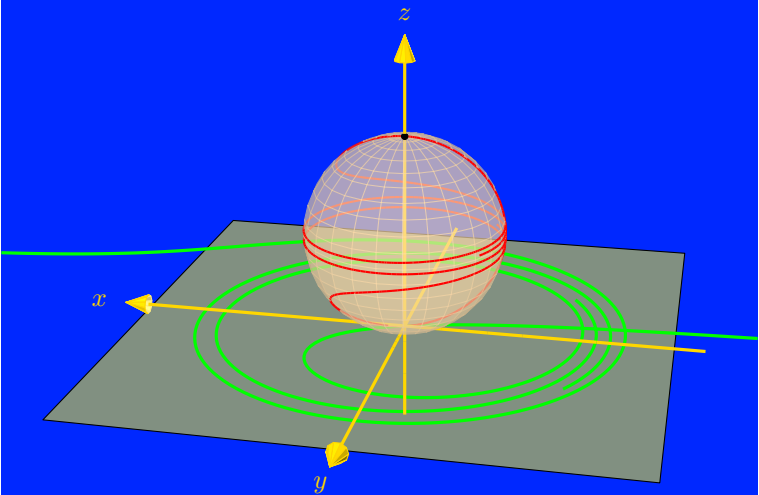
—  $\rho(t) = 2 - \frac{1}{t}$



—  $\rho(t) = 2 - \frac{1}{t}$

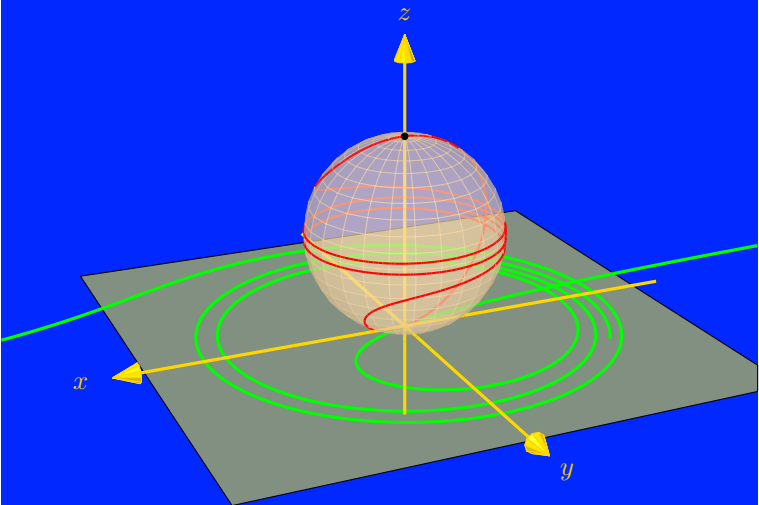


—  $\rho(t) = 2 - \frac{1}{t}$

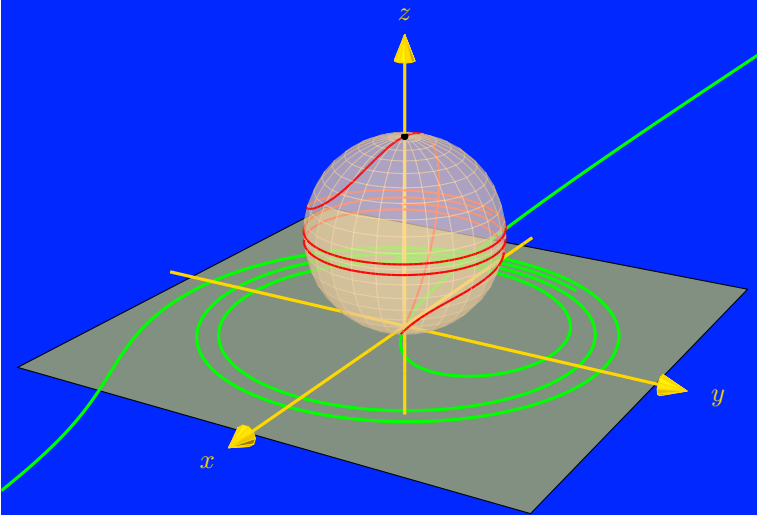


—  $\rho(t) = 2 - \frac{1}{t}$





—  $\rho(t) = 2 - \frac{1}{t}$



—  $\rho(t) = 2 - \frac{1}{t}$